

Slim equipped troughs

Equipped troughs

Code: 3024 801



DETAILS

Edge/Installation Type Flush-mount | Top-mount

Material AISI 304 stainless steel

Finish Foster brushed

Texture Brushed in line

Base 45 cm

External dimensions 430 x 110 mm

Internal dimensions 390 x 90 mm

Width 43 cm

Length 1 unit - Slim

Built-in hole

[View technical data sheet](#)

Standard fittings

Fixing hooks, gasket, drain, boxed packing

Waste fitting

1¼" drain

Key to understanding the accessories

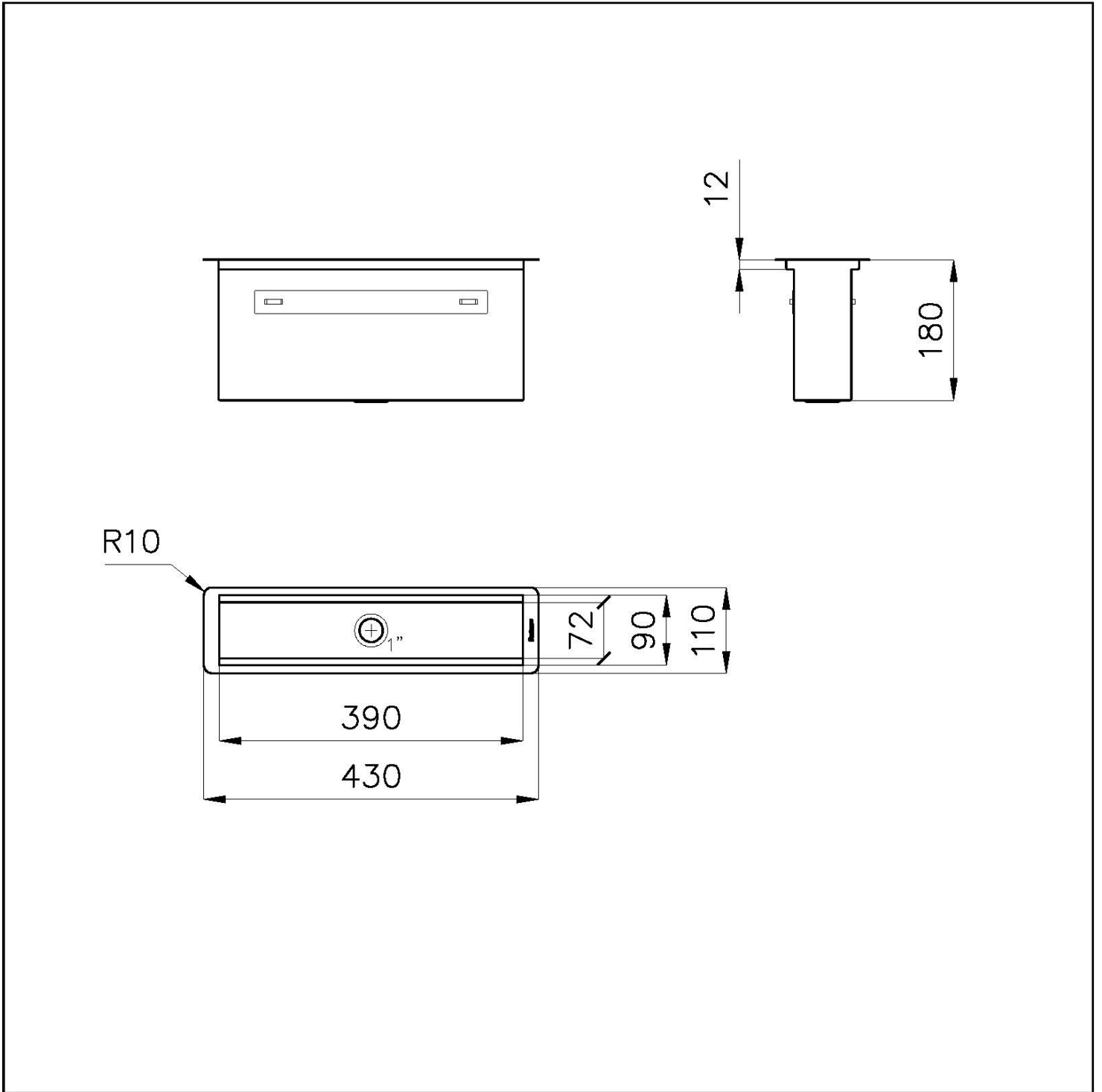
The lengths of the channels and accessories are indicated in “units”; for the composition, the sum of the “units” of the accessories must be the same as the length in “units” of the channel.

FEATURES

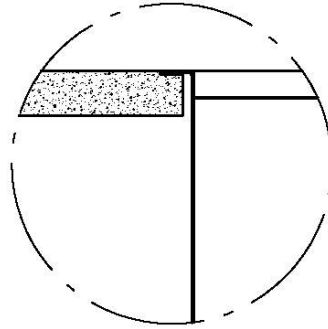
High thickness

1mm thick steel. A significant thickness, which guarantees the maximum sturdiness and durability.

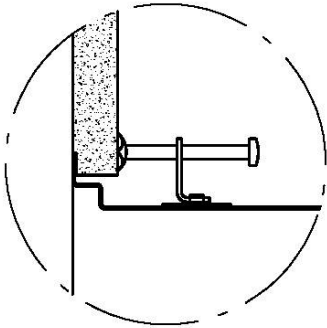
TECHNICAL DATA



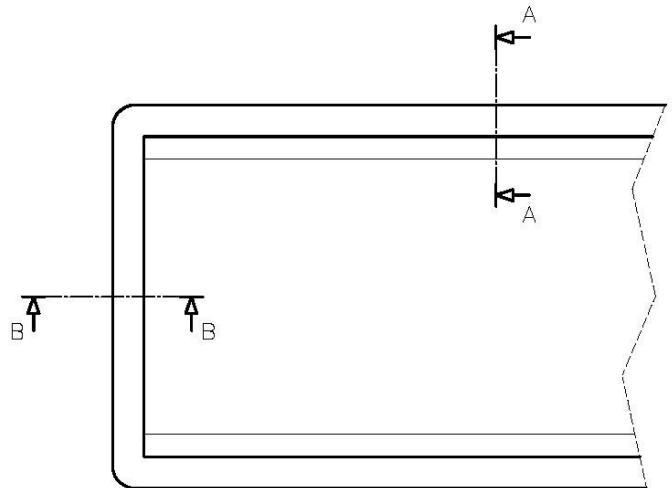
Filotop/Flush-mount



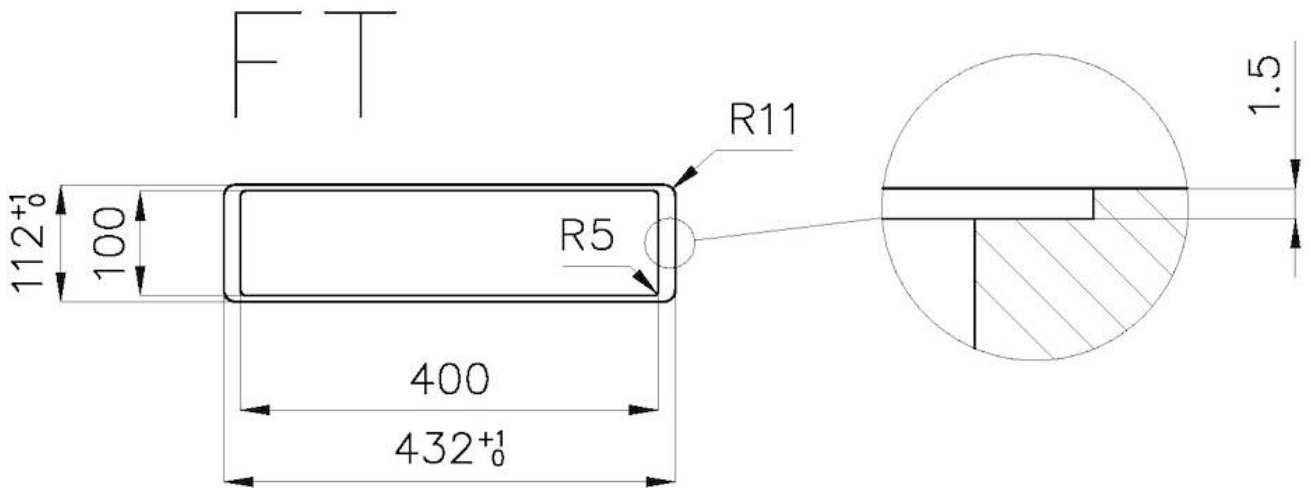
B-B:
Dettaglio installazione
Installation detail



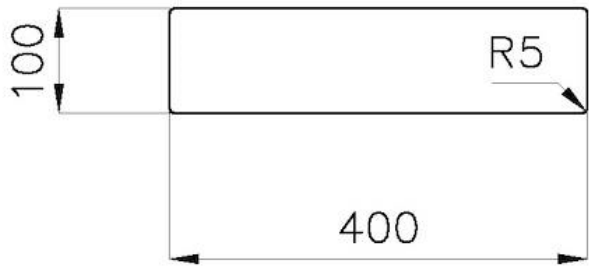
A-A:
Dettaglio installazione e sistema di fissaggio
Installation detail and fixing system



Dimensioni per foratura top
Cut out size



SPT



GALLERY



OPTIONAL ACCESSORIES



Kit "I"
8100 707



Kit "L"
8100 708



Kit "M"
8100 709



Kit "O"
8100 715



Stainless steel perforated tray
8151 004